



Waste collection trolley h86_212

Urban waste collection trolley made of moss green RAL 6005 painted steel. Dimensions: W. 68 x D. 88.5 x H. 112.7 cm. With solid rubber wheels.

Multifunctional trolley for waste collection, useful for cleaning green areas. Robust structure made of moss green RAL 6005 painted steel equipped with **solid rubber wheels**. The trolley features 2 bag holders and a storage tray.

Technical Features:

- Material: powder-coated steel
- Color: moss green - RAL 6005
- With bag holders
- With solid rubber wheels
- Capacity: 2 x 110 L
- Dimensions: W. 68 x D. 88.5 x H. 112.7 cm
- Weight: 16.5 kg

** the trolley is delivered assembled and without accessories*

INFORMATION

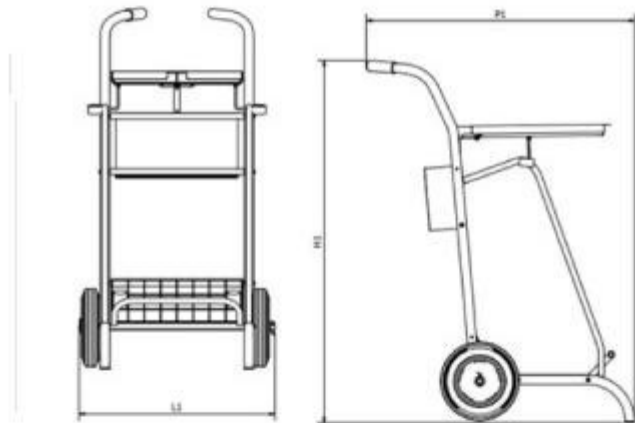
- **tipologia** Con portasacco
- **Length in millimeters** 680.000000
- **Depth in millimeters** 885.000000
- **Height in millimeters** 1127.000000



HOLITY.COM



HOLITY.COM



L1: 680 mm P1: 885 mm H1: 1127 mm

HOLITY.COM

HOLITY.COM

Waste collection trolley
h86_212

Tipologia: Con portasacco