



## Vertical plastic press h980\_04

High-capacity vertical press with a pressure force of 20 tons, ideal for compacting cardboard, plastic, and paper. Designed for EURO pallet standard-sized bales. Dimensions: W 177.5 x D 102.5 x H 277 cm.

The **h980\_04 vertical press** is a **powerful and versatile** machine, designed for compacting **cardboard, flexible plastic, and paper**. With a **pressure force of 20 tons**, it ensures a high volumetric reduction of waste, optimizing industrial waste management.

This press is perfect for companies that need to **reduce disposal costs** and improve **waste logistics management**. The **bale size is optimized for transport**, being perfectly dimensioned for a **standard EURO pallet**, which facilitates **storage and transport without wasting space**.

Thanks to the **front-facing strapping position**, the press can be **installed against the wall**, minimizing footprint. The **powder coating** ensures **long-term durability**, protecting the machine from **wear and corrosion**.

Installation is simple, thanks to the **3x400V three-phase power supply**, and the **low noise level (62-64 dB)** makes it suitable for indoor environments without causing disruption.

Optimize your waste management with the **h980\_04 vertical press**! Buy now or request a personalized quote to improve your operational efficiency.

### Technical specifications:

- **Pressure force:** 20 tons
- **Press dimensions:** W 177.5 x D 102.5 x H 277 cm
- **Feed opening dimensions:** W 1200 x D 550 mm
- **Loading height:** 965 mm
- **Compaction chamber height:** 1410 mm
- **Cylinder stroke:** 750 mm
- **Compacted bale dimensions:** W 1200 x D 800 x H 850 mm
- **Cardboard bale weight:** up to 300 kg
- **Plastic bale weight:** up to 400 kg
- **Total machine weight:** 1240 kg
- **Compaction cycle time:** 33 seconds
- **Noise level:** 62-64 dB
- **Motor:** 4 kW
- **Power supply:** 3x400V 50Hz 16A
- **Finish:** Powder coating for resistance and durability

### User benefits:

- **High efficiency:** 20-ton pressure force for maximum waste volume reduction.
- **Easy installation:** thanks to the front-facing strapping, it can be positioned against the wall.
- **Maximum transport optimization:** bales are sized for a EURO pallet, facilitating storage and transport.
- **Ease of use:** intuitive bale tying and automatic ejection for a faster and safer compaction process.
- **Strong and durable:** steel structure and powder coating for protection against corrosion.
- **Low noise impact:** contained noise level (62-64 dB), also suitable for indoor environments.
- **Standard equipment:** oil, 4 test rolls, cable and plug, user's and maintenance manual, and declaration of conformity.

#### FAQ:

1. **Which materials can this press compact?**  
It is perfect for cardboard, flexible plastic, and paper.
2. **What is the maximum weight of a compacted bale?**  
Bales can weigh up to 300 kg for cardboard and 400 kg for plastic.
3. **How is the bale ejected?**  
The machine is equipped with automatic ejection, facilitating the unloading process.
4. **Is a special electrical system required?**  
Yes, it requires a 3x400V three-phase power supply, suitable for industrial environments.
5. **How noisy is the press?**  
The noise level is contained (62-64 dB), also suitable for enclosed spaces.

#### Mini buying guide:

If your company needs to manage **high volumes of cardboard, plastic, or paper**, the **h980\_04 vertical press** is the ideal solution. With a **pressure force of 20 tons**, it reduces waste volume by up to **90%**, improving space organization and **reducing disposal costs**.

This press is designed to optimize bale transport, which is **dimensioned to fit perfectly on a EURO pallet**. This means **greater logistics efficiency** and **lower handling costs**.

Thanks to the **front-facing strapping position**, the machine can be installed **against the wall**, optimizing space in your warehouse or production area. The **powder coating** and solid steel structure ensure **long-term durability**.

*Vertical plastic press, industrial waste compactor, cardboard and paper press, business waste volume reduction, plastic compacting machine, EURO pallet compactor.*

*\*Images are for illustrative purposes only.*

## INFORMATION

- **Tipologia Verticale**



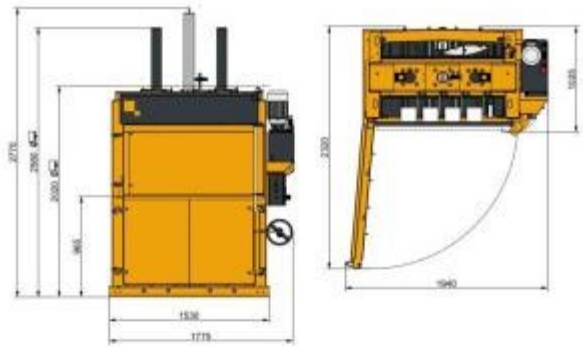
HOLITY.COM



HOLITY.COM



HOLITY.COM



HOLITY.COM

## Vertical plastic press h980\_04

Tipologia: Verticale