



Vertical cardboard baler h980_03

Powerful and compact vertical baler with 5-ton pressing force, ideal for compacting cardboard and plastic. Equipped with a wide 1-meter loading aperture. Dimensions: W 136 x D 89.5 x H 237 cm.

The **h980_03 vertical baler** is designed for companies needing an **efficient and versatile compactor** to reduce the volume of bulky waste such as **cardboard, plastic, and voluminous packaging**. Thanks to the **powerful 5-ton pressing force**, it allows for **optimizing storage spaces and reducing disposal costs**.

This baler is equipped with a **wide 1-meter loading aperture**, allowing even large boxes to be inserted **without the need to fold them**. The **automatic bale ejection** facilitates the unloading process, making the operation safer and faster.

Installation is **simple and immediate**, thanks to the **230V single-phase power supply**, which allows it to be placed in any environment without the need for an industrial system. The **low noise level (65-68 dB)** also makes it ideal for use in enclosed spaces, without disturbing staff.

The **powder coating** ensures **greater resistance to corrosion**, while the compact design allows it to be easily positioned **even in small spaces**.

Optimize your waste management with the **h980_03 vertical baler**! Buy now or request a personalized quote to improve your workspace efficiency!

Technical features:

- **Pressing force:** 5 tons
- **Baler dimensions:** W 136 x D 89.5 x H 237 cm
- **Loading aperture dimensions:** W 1000 x D 500 mm
- **Loading aperture height:** 915 mm
- **Compaction chamber height:** 1305 mm
- **Cylinder stroke:** 750 mm
- **Compacted bale dimensions:** W 1000 x D 700 x H 800 mm
- **Cardboard bale weight:** up to 130 kg
- **Plastic bale weight:** up to 180 kg
- **Total machine weight:** 600 kg
- **Compaction cycle duration:** 33 seconds
- **Noise level:** 65-68 dB
- **Motor:** 1.1 kW
- **Power supply:** 1x230V 50Hz 10A
- **Finish:** Powder coating for resistance and durability

User benefits:

- **Optimized waste management:** reduces the volume of cardboard and plastic by up to 90%, saving space and disposal costs.
- **Ease of use:** automatic bale ejection makes the unloading process fast and safe.
- **Wide loading aperture:** 1-meter width, perfect for large boxes without the need for pre-folding.
- **Simple installation:** 230V single-phase power, usable even in non-industrial environments.
- **Safety and compliance:** complies with European standard EN16500, ensuring maximum safety for operators.
- **Resistance and durability:** powder coating for superior corrosion protection.

FAQ:

1. What materials can this baler compact?

It is ideal for cardboard, flexible plastic, and paper. Not suitable for wet or hazardous waste.

2. How is the compacted bale removed?

The baler is equipped with automatic ejection, which facilitates unloading the bale in total safety.

3. Is a special electrical system required for installation?

No, it works with a 230V single-phase power supply, so it can be installed in any environment.

4. How long does a compaction cycle last?

The cycle lasts 33 seconds, ensuring high productivity.

5. Is the baler noisy?

No, it has a low noise level (65-68 dB), perfect for use in enclosed environments.

Mini purchase guide:

If your company generates large volumes of **cardboard, plastic, and voluminous packaging**, the **h980_03 vertical baler** is the perfect solution to optimize waste management. Thanks to its **5-ton pressing force**, it allows for **reducing the volume of materials by up to 90%**, freeing up valuable space and reducing disposal costs.

The wide **1-meter** loading aperture allows for **compacting large materials without the need for pre-processing**, making the process **faster and more efficient**. Installation is immediate thanks to the **230V single-phase plug**, ideal also for commercial activities, warehouses, supermarkets, and hotels.

Thanks to the **powder coating and robust steel structure**, this baler is designed to last over time, offering a **safe, effective, and durable** solution.

Vertical waste baler, cardboard and plastic compactor, business waste volume reduction, single-phase waste baler, industrial waste management, waste compaction machine.

**Images for illustrative purposes only.*

INFORMATION

- **Tipologia** Verticale



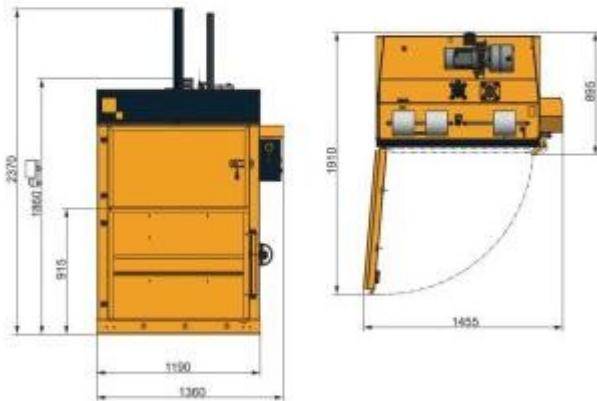
HOLITY.COM



HOLITY.COM

Vertical cardboard baler h980_03

Tipologia: Verticale



HOLITY.COM