



Treatment table for Bobath method h581_25

Medical table for Bobath therapy. Electrically adjustable height. Dimensions: L.200 x D.100 x h.47-80 cm.

2-section medical table specifically for rehabilitation and care using the Bobath method. Thanks to its **large surface area**, it allows the healthcare professional to perform all maneuvers and exercises necessary for rehabilitation on the patient. The base structure is designed in such a way as to allow the passage of a patient lift if necessary. The table is also equipped with **electrically adjustable height** and **tilting headrest with gas spring**. The surface is padded and covered in **class 1 IM fire-retardant material** and is easy to clean and disinfect.

Technical features:

- Dimensions: L.200 x D.100 x h.47-80 cm
- Lift clearance: 17 cm
- Load capacity: 200 kg
- Electrically adjustable height with foot pedal control
- Tilting headrest with gas spring + 60°
- Fire-retardant padding and upholstery class: 1 IM
- Padding density and thickness: 30 (kg/m³) / 40 mm
- Available in multiple colors

***Image for illustrative purposes only (wheels are not included, add them from the options)*

**wheels not included*

INFORMATION

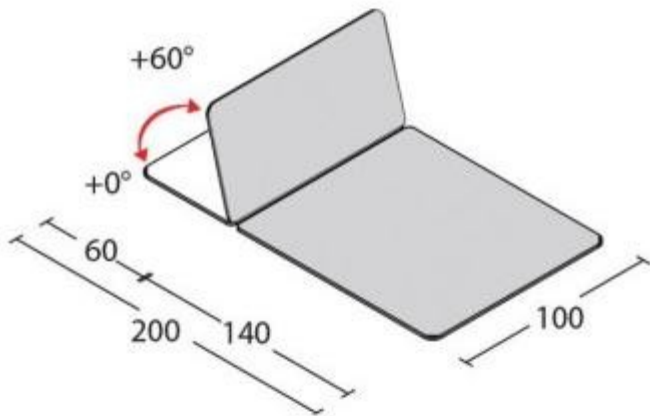
- **Type** Altezza regolabile elettronicamente
- **Base material** Metal
- **Length in millimeters** 2000.000000
- **Depth in millimeters** 1000.000000
- **Height in millimeters** 470.000000



HOLITY.COM



HOLITY.COM



HOLITY.COM



HOLITY.COM