



Therapy and blood collection chair with 4 motors h602_03

Blood collection and donation chair in painted steel. Electric movements with 4 actuators.

Blood collection-donation and multi-functional chair. The structure of the **Chair** is in **steel** completely **painted** with epoxy powder with antimicrobial characteristics. High load capacity: **230 kg**. Excellent comfort and practicality in use. **Seat, backrest and legrest** are upholstered in **class 1 IM fireproof sky**, antibacterial, antifungal, disinfectable and wear-resistant. Standard equipment kit of **4 wheels** with foot brake. The **electric controls** are managed by a **handset** and only the lifting command can also be controlled via foot pedal command on request. The chair can be used for multiple **diagnostic and therapeutic** applications. This **Blood collection chair** has **4 low-voltage motors**. Independent electric movements: electric lifting, electric 180° backrest angle, electric legrest, electric Trendelenburg. Polyurethane armrests synchronized with the backrest and adjustable in rotation: for the specific blood collection function only, it is possible to request it equipped with blood collection armrests.

Technical features:

- 4-motor electric adjustment
- Power supply voltage: 230 V – 50 Hz
- 24 V-DC low voltage motors
- Lifting capacity: 230 Kg
- Protection degree: IP54
- Chair weight: 131 Kg
- Maximum seat height (from ground): 510-910 mm

Options:

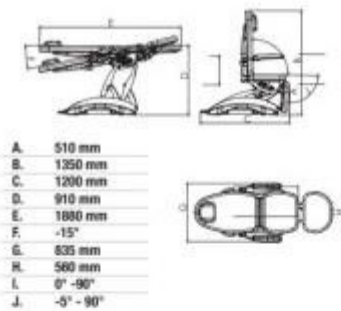
- adjustable headrest

**Upon quotation, it is possible to add other options e.g. tray, paper holder, emergency battery, USB port, IV pole. Other colors are also available on request to be chosen from the attached photos*

INFORMATION

- **flow rate** 230 Kg
- **Operation** Elettrico
- **type height** variable

Therapy and blood collection chair with 4 motors h602_03



HOLITY.COM



HOLITY.COM



HOLITY.COM

Therapy and blood collection chair with 4 motors h602_03

Flow rate: 230 Kg
 Operation: Elettrico
 Type height: variable