



Stainless steel street cleaning trolley 2-bin h973_06

Street cleaning trolley for 2 bins, in 304 stainless steel with tubular structure. Capacity of 180 liters, equipped with storage locker and tool supports. Dimensions: W. 1572 x D. 742 x h. 875 mm.

The **h973_06 street cleaning trolley** is an essential piece of equipment for **sanitation workers**, designed to facilitate the collection and transport of urban waste. Thanks to its **180-liter capacity**, it allows for managing a high volume of waste, reducing the frequency of emptying and improving operational efficiency.

Made of **304 stainless steel** with a **30 x 1.5 mm tubular structure**, the trolley is extremely resistant to corrosion, atmospheric agents, and wear, ensuring **durability and robustness even under intensive use conditions**.

The design includes a **small storage locker**, ideal for storing garbage bags or cleaning chemicals, as well as **lateral tool supports**, allowing operators to always have brooms, dustpans, and waste pickers at hand.

Thanks to its **two wheels**, the trolley offers excellent maneuverability, facilitating passage over irregular surfaces, curbs, and manhole covers. To ensure maximum stability, it is equipped with **front and rear supports with rubber pads**, which ensure balance even when fully loaded. Inside, there are **two structural reinforcements** to house **two bins**.

Included in the supply: **1 medium-sized flat broom**, made of PVC and polyethylene and equipped with a wooden handle, ideal for cleaning outdoor environments; **1 large flat broom**, made of polypropylene with bristles of different thicknesses and a wooden handle, ideal for cleaning roads and large surfaces; **1 iron shovel** with a square point and ring handle; **2 plastic buckets of 90 liters each**.

Optimize urban cleaning with the **h973_06 street cleaning trolley!** **Order now** for efficient and organized waste collection management.

Technical features:

- **Material:** 304 stainless steel with 30 x 1.5 mm tubular structure
- **Capacity:** 180 liters
- **Number of bins:** 2 (not included in the supply)
- **Dimensions:** W. 1572 x D. 742 x h. 875 mm
- **Wheels:** 2 rear wheels for high maneuverability
- **Supports:** front and rear supports with rubber for greater stability
- **Integrated locker:** for storing garbage bags and cleaning products (not included)
- **Tool supports:** prepared for positioning brooms, dustpans
- **Internal reinforcements:** prepared for housing 2 bins
- **Usage:** ideal for sanitation workers and road cleaning services
- **Accessories:** 1 medium-sized flat broom, made of PVC and polyethylene and equipped with a wooden handle; 1 large flat broom, made of polypropylene with bristles of different thicknesses and a wooden handle; 1 iron shovel with a square point and ring handle; 2 plastic buckets of 90 liters each.

User benefits:

- **Greater collection capacity:** thanks to 180 liters, it allows for transporting a larger volume of waste, reducing emptying times.
- **Resistant and durable structure:** made of 304 stainless steel with a tubular structure, it resists corrosion and atmospheric agents.
- **Ease of movement:** robust wheels that facilitate movement over curbs, pavements, and manhole covers without effort.
- **Optimal organization:** storage locker and tool supports to always have everything needed at hand.
- **Maximum stability:** thanks to the front and rear supports with rubber, the trolley remains stable even on irregular surfaces.

FAQ:

- 1. What is the main advantage compared to the single-bin model?**
The h973_06 model has double the capacity (180 liters) compared to the single-bin version, allowing for more waste to be transported and reducing emptying operations.
- 2. Can this trolley be used in humid or rainy environments?**
Yes, the 304 stainless steel material guarantees high resistance to rain, humidity, and corrosive agents, making it suitable for outdoor use in any weather condition.
- 3. Do the wheels allow for overcoming obstacles like steps or curbs?**
Yes, the two robust rear wheels offer excellent maneuverability and facilitate overcoming small obstacles like curbs or manhole covers.
- 4. Is the trolley supplied with bins and tools?**
Yes, the trolley is supplied with 2 bins of 90 liters each, 2 brooms (1 medium-sized and 1 large-sized), and 1 shovel.
- 5. How can I ensure the trolley remains stable during use?**
The trolley is equipped with front and rear supports with rubber pads, which guarantee high stability even on surfaces that are not perfectly level.

Mini buying guide:

The **h973_06 street cleaning trolley** is the perfect solution for **sanitation workers** who need a **practical, spacious, and resistant tool** for waste collection. The **180-liter capacity**, combined with the **304 stainless steel** structure, guarantees **durability and resistance to atmospheric agents**. The **ergonomic design**, with a storage locker and tool supports, allows for better organization of work, while the **robust wheels and rubber supports** ensure stability and ease of movement on any surface. **An excellent choice for improving the efficiency and practicality of urban cleaning.**

2-bin street cleaning trolley, 180-liter road cleaning trolley, double bin sanitation worker trolley, stainless steel waste collection trolley, professional urban cleaning trolley, street sweeping trolley, sanitation worker equipment, stainless steel bin holder trolley, waste collection trolley.

**Images are purely indicative.*

INFORMATION

- **tipologia** Utilizzabile con bidone
- **Length in millimeters** 1572.000000
- **Depth in millimeters** 742.000000
- **Height in millimeters** 875.000000

Stainless steel street cleaning trolley 2-bin h973_06



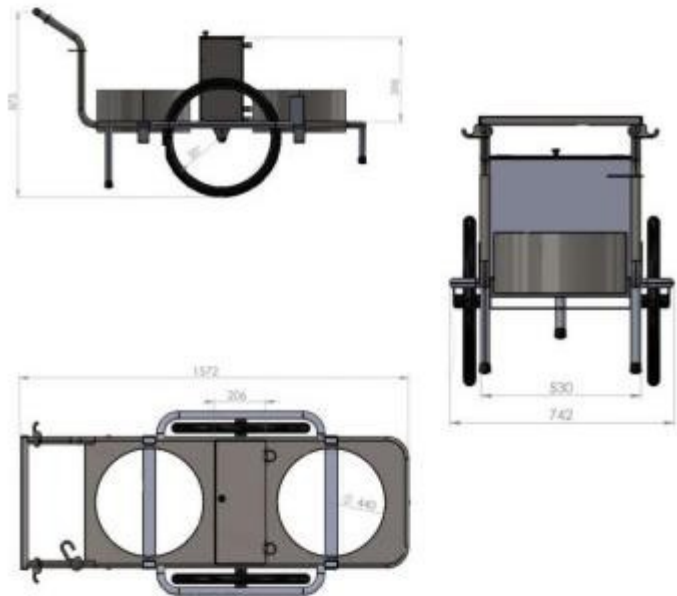
HOLITY.COM



HOLITY.COM



HOLITY.COM



HOLITY.COM

Stainless steel street cleaning trolley 2-bin h973_06

Tipologia: Utilizzabile con bidone