



Stainless steel street cleaning cart 1 position h973_05

Street cleaning cart in 304 stainless steel, resistant to corrosion and atmospheric agents. Equipped with a storage cabinet and tool holders. Dimensions: W. 1221 x D. 727 x h. 896 mm.

The **street cleaning cart h973_05** is an essential piece of equipment for street cleaning operators, designed to **facilitate waste collection and transport** during sweeping operations. Thanks to its **304 stainless steel structure**, it offers high resistance to corrosion, impacts, and atmospheric agents, guaranteeing long-lasting durability.

Equipped with a **90-liter capacity**, the cart allows for collecting and transporting a large volume of waste without frequent emptying. The **functional design** includes a **small storage cabinet**, ideal for storing garbage bags or cleaning products, as well as **supports for three tools**, allowing operators to always have the necessary instruments at hand.

Thanks to the **two robust wheels**, the cart offers excellent maneuverability, making it easy to move over irregular surfaces, curbs, and manhole covers. The **third front support point with a rubber buffer** ensures stability during use. Inside, there is a **structural reinforcement** to house the collection bin.

Included in the supply: **1 medium-sized flat broom**, made of PVC and polyethylene and equipped with a wooden handle, ideal for cleaning outdoor environments; **1 large flat broom**, made of polypropylene with bristles of different thicknesses and a wooden handle, ideal for cleaning streets and large surfaces; **1 iron shovel** with a square point and a ring handle; **1 plastic bucket, 90 lt capacity**.

Make urban waste collection more efficient with the **h973_05 cart!** **Order now** for a robust, maneuverable, and durable solution.

Technical features:

- **Material:** 304 corrosion-resistant stainless steel
- **Capacity:** 90 liters
- **Dimensions:** W. 1221 x D. 727 x h. 896 mm
- **Wheels:** 2 robust wheels for easy movement
- **Support:** third support point with rubber buffer for greater stability
- **Integrated cabinet:** for storing garbage bags and cleaning products (not included)
- **Tool supports:** designed for positioning 3 tools
- **Internal reinforcement:** dedicated area for supporting a bin
- **Usage:** ideal for sanitation workers and street cleaning services
- **Accessories included:** 1 medium-sized flat broom, made of PVC and polyethylene and equipped with a wooden handle; 1 large flat broom, made of polypropylene with bristles of different thicknesses and a wooden handle; 1 iron shovel with a square point and a ring handle; 1 plastic bucket, 90 lt capacity

User benefits:

- **Maximum resistance and durability:** 304 stainless steel structure for high protection against corrosion and external agents.
- **Ease of movement:** robust wheels that allow overcoming curbs, manhole covers, and paved surfaces without difficulty.
- **Optimal organization:** storage cabinet and tool supports to always have the necessary instruments at hand.
- **Guaranteed stability:** third support point with rubber for safe use even on irregular surfaces.
- **Greater operational efficiency:** 90-liter capacity to reduce emptying frequency and optimize working times.

FAQ:

1. **Is the cart suitable for outdoor use in all weather conditions?**
Yes, the 304 stainless steel material guarantees high resistance to rain, humidity, and corrosive agents, making it perfect for outdoor use.
2. **Are the wheels suitable for uneven surfaces?**
Yes, the two rear wheels are designed to tackle irregular surfaces, such as manhole covers, stone pavements, and curbs, without compromising maneuverability.
3. **Is the cart supplied with a bin and tools?**
Yes, the cart is supplied with the included accessories listed above.
4. **Which tools can I place in the supports?**
The cart is designed to accommodate up to three tools such as brooms, shovels, or waste collection grippers, improving work efficiency.
5. **How much weight can the cart support?**
Thanks to the robust stainless steel structure, the cart is designed to support the weight of the 90-liter container full of waste while maintaining excellent stability.

Mini buying guide:

The **street cleaning cart h973_05** is an indispensable piece of equipment for sanitation workers, designed to **facilitate the collection and transport of urban waste**. The **304 stainless steel structure** guarantees maximum durability over time, while the **robust wheels** and the **third support point** ensure stability and maneuverability on any surface. Thanks to the **90-liter capacity**, the **storage cabinet**, and the **tool supports**, this cart represents the ideal solution to optimize street cleaning work, improving efficiency and practical use.

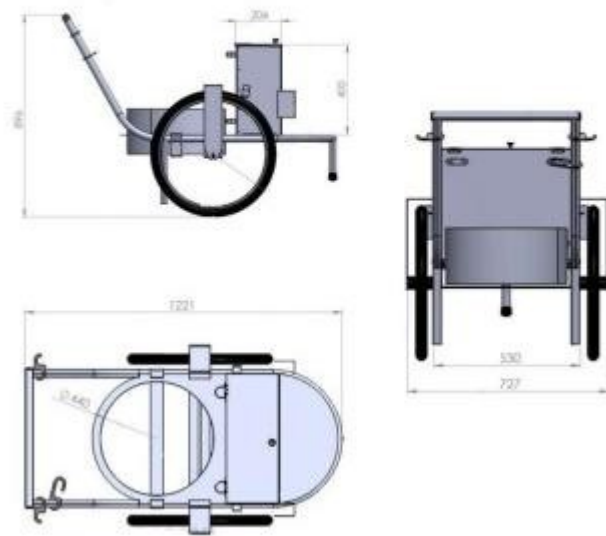
Stainless steel street cleaning cart, street cleaning trolley, sanitation worker cart, waste collection cart, 90-liter street cleaning cart, waste cart with cabinet, environmental operator cart, urban cleaning cart, street cleaning equipment

**Images are purely indicative.*

INFORMATION

- **tipologia** Utilizzabile con bidone
- **Length in millimeters** 1221.000000
- **Depth in millimeters** 727.000000
- **Height in millimeters** 896.000000

Stainless steel street cleaning cart 1 position h973_05



Stainless steel street cleaning cart 1 position h973_05

Tipologia: Utilizzabile con bidone