



HOLITY.COM

Alice Chair Scab h74330 with writing tablet

Conference chair with chrome steel structure and technopolymer shell complete with writing tablet. For indoor use. Dimensions: W.55 x D.52 x H.82 cm. Made in Italy.

Stackable conference room chair **made in Italy** with premium materials suitable for meeting rooms, universities and workplaces. Modern design chair with **chrome tubular steel structure** and technopolymer shell. The seat includes a **black technopolymer anti-panic writing tablet** with folding movement.

The conference chair is available in the following colors: linen and anthracite.

Technical features:

- Shell: technopolymer
- Structure: Ø 16 mm chrome tubular steel
- Total height: 82 cm
- Seat height: 46 cm
- Tablet height: 67 cm
- Width: 55 cm
- Depth: 52 cm
- Depth with tablet: 70 cm
- With black technopolymer anti-panic tablet
- Stackable up to 6 pieces
- Indoor use
- **Made in Italy**

Optional:

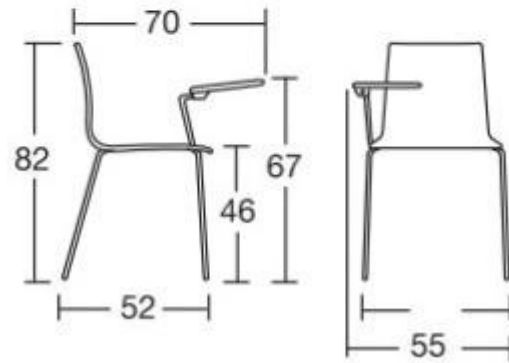
- **Connection hook** ideal for creating rows of seating and made of Ø 5 mm chrome steel

The chair is sold in packs of two.

INFORMATION

- **Body material** Materiale plastico
- **Height in millimeters** 820.000000
- **Width in millimeters** 550.000000
- **Depth in millimeters** 520.000000
- **Punti di forza** Con tavoletta

Alice Chair Scab h74330 with writing tablet



HOLITY.COM

COLORI SCOCCA BODY COLOURS



lino
linen

antracite
anthracite grey

Alice Chair Scab h74330 with writing tablet

Body material: Materiale plastico
Height in millimeters: 399 mm
Width in millimeters: 401 mm
Depth in millimeters: 400 mm