



## Rehabilitation staircase with 3 steps h731\_23

3-step staircase with a height of 16 cm for rehabilitation exercises. Maximum dimensions: 124 x 75 cm. Optional: platform.

**Ramp for physiotherapy and rehabilitation centers** consisting of **3 steps with a height of 16 cm** and **adjustable handrails**. The ramp is made of a **painted steel structure**, **wear-resistant bilaminated wood steps**, and **non-slip thermoplastic handrails** with height adjustable from a minimum of 88 to a maximum of 104 cm. The ramp has a **maximum capacity of 180 kg**. As an **option**, it is possible to purchase the platform. The platform is necessary for the correct positioning, support and use of the staircase. The staircase is not compatible with other types of platforms.

### Technical features:

- Maximum dimensions: 124 x 75 cm
- Structure material: painted steel
- Step material: wear-resistant bilaminated wood
- Handrail material: non-slip thermoplastic
- Adjustable handrails
- 3 steps
- Step height: 16 cm
- Weight: approx. 55 kg
- Maximum capacity on ramp: 180 kg
- Maximum capacity per single handrail: 135 kg
- Handrail height adjustment: cm 88 ÷ 104
- Declaration of conformity

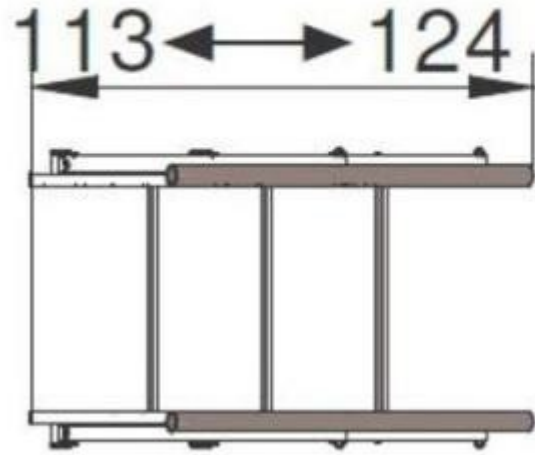
### Options:

- Platform (the purchase of the platform is necessary for the support and correct use of the staircase. The ramp is exclusively compatible with this platform)

*\*Images purely indicative.*

## INFORMATION

## Rehabilitation staircase with 3 steps h731\_23



HOLITY.COM

HOLITY.COM



HOLITY.COM