



Office notice board for announcements h824_02

Office notice board. A3 format. With magnetic background.

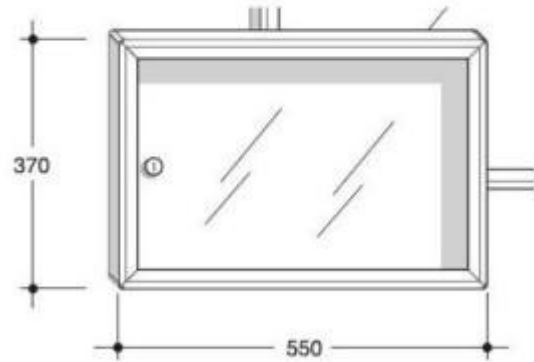
Notice board ideal for offices, schools. The notice board features a **magnetic background** in galvanized sheet metal that allows you to fix documents in a simple and secure way and is made with an aluminum profile and a transparent plexiglass swing door to protect notices from water splashes and dust.

Technical Features:

- Structure material: aluminum
- Swing door: transparent plexiglass
- Magnetic background
- Equipped with a security cylinder lock with two numbered keys
- Format: A3
- Dimensions: W. 55 x D. 37 cm

INFORMATION

- **Tipo fondo** Fondo magnetico
- **Opening** Apertura a libro



Office notice board
for announcements h824_02

Tipo fondo: Fondo magnetico
Opening: Apertura a libro