



HOLITY.COM

Hospital stretcher with weighing scale h634_23

Patient transport stretcher with weighing system. Capacity: 200 kg. Motorized variable height.

Emergency and patient transport stretcher, perfect for hospitals, clinics and nursing homes. Able to facilitate patient access and reduce the effort of healthcare workers. Equipped with an **integrated digital weighing system** that allows the patient to be weighed directly on the stretcher. A **large LCD display** makes the parameters clearly visible and features a keyboard for operating the device. The structure consists of a **robust anti-tip painted steel frame** and **2-section HPL bed platform** with an overlying **foam mattress** and with a fire-retardant and washable cover. The **height can be adjusted electronically** using a push-button panel. The **backrest is tiltable via gas control**. The stretcher can also reach the **Trendelenburg and reverse Trendelenburg positions** via rectangular section motorized telescopic columns. The structure is also complete with wide-protection fold-down side rails, shockproof side bumpers, ergonomic and fold-down push handles, cylinder holder compartment, 4 IV pole stations. Movement is thanks to the **4 antistatic, swivel wheels**, with simultaneous wheel locking via bilateral pedal and with a directional system.

Technical characteristics:

- Dimensions: L.226.3 x W.74.1 x H.71.2 cm
- Capacity: 200 kg
- Painted steel frame
- Pair of compass-style side rails
- Motorized Trendelenburg and reverse Trendelenburg via rectangular section telescopic columns
- 4 stainless antistatic swivel wheels Ø 200 mm, with simultaneous wheel locking via bilateral pedal and with directional system
- Operation via push-button panel
- Anti-shock side bars
- 2-section HPL bed platform
- Mattress made of high-density foam, H.80 mm
- Washable cover at 90° and equipped with antibacterial and antifungal properties, fire-retardant UNI 9175/87 and 9175FA-1/94 class 11M
- 4 fold-down transport handles
- Power cable and cable reel
- Cylinder holder compartment
- 4 IV pole stations
- 8/10 button handset for motor operation
- Power supply via interchangeable 4.5 A battery (2 included) with desktop battery charger

Weighing system specifications:

- Weight reading via LCD digital indicator with 180° viewing angle easily visible over 20 m
- Capacity up to 200 kg with minimum division display of 20 g up to 60 kg, 50 g up to 150 kg and 100 g up to 200 kg
- PC connection interface via standard RS232 serial port
- Compatibility with the most common management software used in hospital environments and possibility to acquire data remotely
- Stainless display box with IP44 insulation
- Anti-blackout function for maintaining weight data in the event of power failure
- Long autonomy external emergency battery

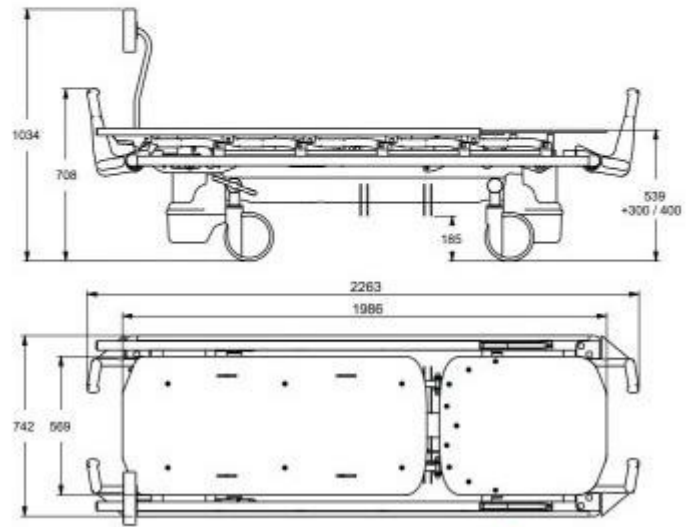
- Tare subtractions before and during therapeutic treatment
- Tare: automatic and manual
- Consolidated Italian-made electronics
- Thanks to the large LCD screen it is possible to keep the following parameters visible: real-time clock; patient weight; entered tare; weight added or removed; weight loss; weight loss countdown; scale full scale limit; initial weight / date / therapy time; motor movement; scale stabilization; weight loss alarms; patient exit alarms; scheduled maintenance alert
- Scale display equipped with keyboard useful for operating medical device movements
- Stainless steel load cells overall capacity 1000 kg and overload factor up to 2000 kg

***Upon request and subject to quote, it is possible to request the addition of further accessories including: motorized backrest, fifth wheel, foot controls, tool compartment, IV pole, monitor holder, safety belts for patient immobilization, radiolucent surface, elevating leg section.*

INFORMATION

- **Height in millimeters** 708.000000
- **Length in millimeters** 2263.000000
- **Depth in millimeters** 742.000000
- **Typology** Altezza regolabile

Hospital stretcher with weighing scale h634_23



Hospital stretcher with weighing scale h634_23

Typology: Altezza regolabile