



## Hospital stretcher capacity 200 kg h634\_11

Patient transport stretcher with variable height. Max capacity 200 kg. Dimensions: L226.3 x W74.2 x H70.8 cm

**Patient transport stretcher** with variable height. The stretcher is equipped with a low-voltage **power supply** via **batteries** without autonomy limits. **Anti-tip and non-deformable frame**. Rectangular section telescopic columns that ensure extreme **stability** and an immediate response in every operating condition. **Centralized braking system**, useful to guarantee further stability to the device. **High maneuverability** to facilitate transport operations as much as possible. **Reclining backrest** via **gas** control. **Motorized variable height**: -facilitates access for patients of all heights and/or with mobility difficulties. - since it is operated via electric pulse pedals, healthcare operators are not required to perform manual operations (for example, operating a hydraulic pedal system) that can compromise the musculoskeletal system. **Motorized Trendelenburg and reverse Trendelenburg**. Allows for **quick and automatic** positioning of the patient by operating a simple pulse control. **High stability**. No obstruction between the upper and lower frame. **HPL platform** without sharp edges, easy to clean and disinfect. **Foldable side rails** with wide protection. **Anti-shock side bumpers**. Ergonomic and foldable push handles positioned on both the foot and head sides, for an optimal grip during transport. Suitable for use in **dynamic environments and for intensive use**. Simplifies the activities of **healthcare operators in high-stress work environments**.

### Technical features:

- Dimensions: L226.3 x W74.2 x H70.8 cm
- Max capacity: 200 kg
- Steel frame painted with antibacterial thermosetting powders
- Platform with two sections
- Motorized adjustable height
- Gas-assisted backrest
- Motorized Trendelenburg and reverse Trendelenburg
- Movement activation via 8/10 button handset
- Anti-shock side bars
- Mattress made of high-density expanded resin
- Fireproof UNI 9175/87 and 9175FA-1/94 class 11M
- Mattress height of 80 mm
- Power cable and cable reel
- Cylinder holder compartment
- No. 4 IV pole positions (poles not included)
- Power supply via interchangeable 4.5 A battery (2 included) with desktop charger.

\*image purely indicative

## INFORMATION

- **Typology** Altezza regolabile



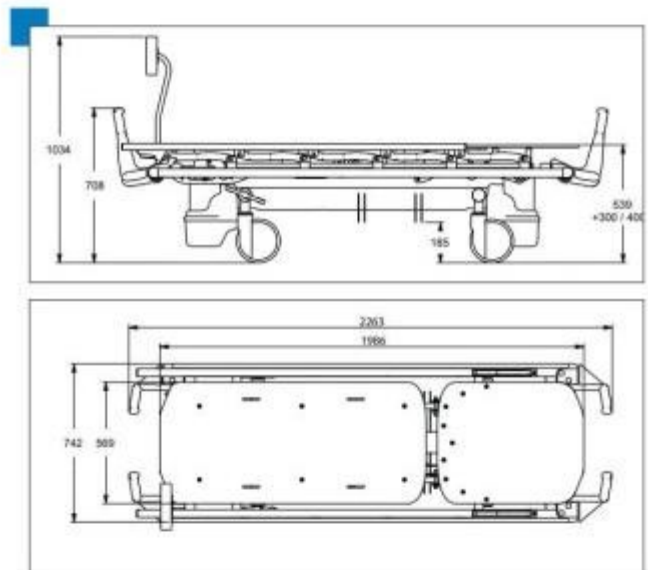
HOLITY.COM



HOLITY.COM



HOLITY.COM



HOLITY.COM

Hospital stretcher capacity  
200 kg h634\_11

Typology: Altezza regolabile