



Hospital emergency trolley h634_05

Emergency trolley with 6 drawers of different sizes. Material: steel sheet. Sturdy and easy to handle.

Professional emergency trolley, specifically for use in operating rooms, intensive care units, and emergency rooms. Highly **spacious**, but at the same time characterized by **compact dimensions** that make it suitable for use in small environments. Consisting of a **sturdy and stable steel sheet structure**, complete with **6 sliding drawers** with automatic closing and a **plastic work surface** easy to disinfect. **Anti-tip** and particularly **easy to handle**. Among the options, it is possible to purchase **various accessories** to add to the trolley.

Technical features:

- Dimensions: W54.4 x D52.2 x H103.31
- Material: steel sheet
- Option: IV pole
- Option 1: defibrillator shelf
- Option 2: cylinder holder
- Option 3: cardiac massage board
- Option 4: sharps container holder

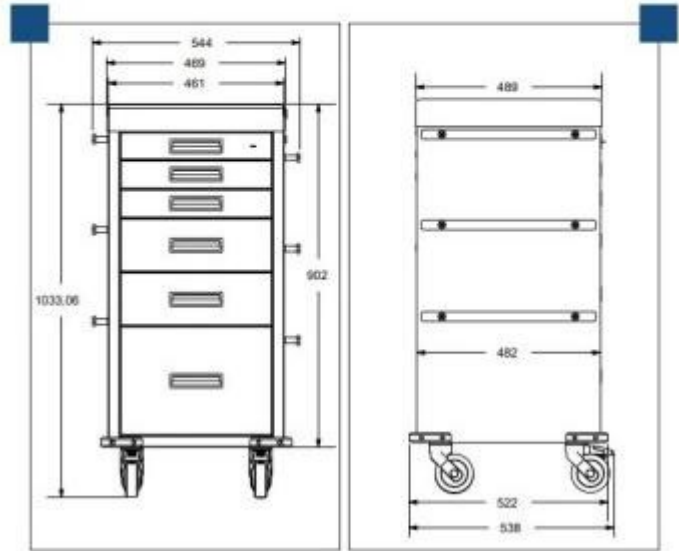
Standard equipment:

- 3 drawers with dimensions W42 x D37.8 x H7.8 cm
- 2 drawers with dimensions W42 x D37.8 x H15.8 cm
- 1 drawer with dimensions: W42 x D37.8 x H23.7 cm
- First drawer complete with tamper-evident seal
- 10 self-destructing seals upon removal
- 3 standardized DIN rails on the sides
- 1 standardized DIN rail on the back
- Centralized lock with key
- Double key
- 4 swivel wheels \varnothing 125 mm, two of which with brake
- Corner bumpers placed on the 4 corners of the base
- Pull-out tray with push and pull opening
- Push handles integrated into the cover

**Further accessories are available upon request and subject to a quote*

INFORMATION

- Height in millimeters 1033.060000
- Depth in millimeters 522.000000
- Width in millimeters 544.000000
- Material Steel



Hospital emergency trolley
h634_05

Material: Steel