



## Gynecology couch h728\_06

Gynecology examination couch/chair. Fixed height. Dimensions: W.175 x D.56 x h.80 cm.

**Couch for gynecology wards and clinics** ideal for examinations and deliveries. Consisting of a fixed-height structure with a **painted steel frame**, equipped at the base with **adjustable feet** to ensure good stability. The surface is padded with foam and upholstered in fire-retardant vinyl and is available in various colors. **Backrest and leg rest are manually adjustable via a lever**. It ensures maximum comfort for patients thanks **to the 90° folding armrests and the swiveling and adjustable leg supports**. Supplied complete with: **removable stainless steel waste tray, ergonomic cushion and gynecological cutout on the seat**.

### Technical features:

- Dimensions: W.175 x D.56 x h.80 cm
- Load capacity: 180 kg
- Frame material: steel with epoxy coating and white painting
- Upholstery material: 100% vinyl
- Fire-retardant upholstery class 1IM
- Foam padding 5 cm, 30 kg/m<sup>3</sup>
- Fixed height
- Backrest and leg rest manually adjustable via lever
- 90° folding armrests
- Adjustable and swiveling leg supports
- Removable stainless steel tray
- Ergonomic backrest cushion
- Gynecological cutout on the seat
- Surface available in various colors
- CE mark

**N.B: for cleaning and disinfection of the surface DO NOT use soaps or solutions containing alcohol, ketones, xylene, acetates or solvents. To remove stains, first wipe with a soft damp cotton cloth, then a cloth soaked in water and neutral liquid soap and finally clean with only water and dry. DO NOT USE brushes with bristles or abrasive or metallic fiber sponges as they can cause permanent damage to the fabric.**

## INFORMATION

- Length in millimeters 1750.000000
- Depth in millimeters 560.000000
- Height in millimeters 800.000000
- type height fixed
- capacity 180 kg

## Gynecology couch h728\_06



HOLITY.COM



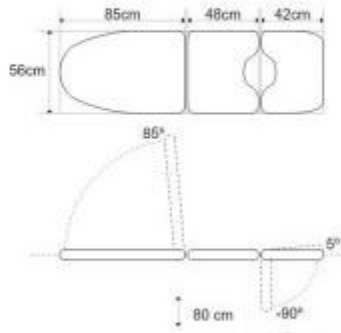
HOLITY.COM



HOLITY.COM



HOLITY.COM



HOLITY.COM

## Gynecology couch h728\_06

Capacity: 180 kg

Type height: fixed