



HOLITY.COM

## Gynecology chair h728\_03

3-section electric gynecological couch in steel and fireproof vinyl. Variable height, Trendelenburg position and specialized accessories included.

The **electric gynecological couch** is a professional device designed for the setup of hospitals and specialist clinics. The **three-section** structure (backrest, seat and leg rest) allows for a smooth transition between the couch and chair configuration, optimizing ergonomics for both medical staff and the patient during diagnostic phases. Thanks to the **two-motor** system managed via remote control, it is possible to millimetrically adjust the height and the inclination of the backrest, reducing the operator's physical effort.

The design integrates advanced solutions for gynecological practice, such as the **Trendelenburg position**, the shaped gynecological hole and the adjustable and swivel leg supports, guaranteeing maximum operational versatility even in the most complex procedures.

## Technical specifications

- **Dimensions:** L.179 x D.62 x h.53-85 cm
- **Maximum capacity:** 180 kg
- **Structure:** Steel with epoxy coating and white painting
- **Upholstery:** 100% fireproof vinyl certified class 11M
- **Padding:** 30 kg/m<sup>3</sup> density foam, 5 cm thickness
- **Adjustment system:** 2 electric motors for height and backrest
- **Leg rest adjustment:** Manual via lever (elevatable and reclinable)
- **Positioning:** Trendelenburg position included
- **Supplied accessories:** Removable stainless steel tray, ergonomic pillow, swivel leg supports and gynecological hole
- **Control:** Wired remote control
- **Certifications:** CE Marked Device

*Image for illustrative purposes only*

## INFORMATION

- **Length in millimeters** 1790.000000
- **Depth in millimeters** 620.000000
- **Height in millimeters** 530.000000
- **type height** variable
- **capacity** 180 kg



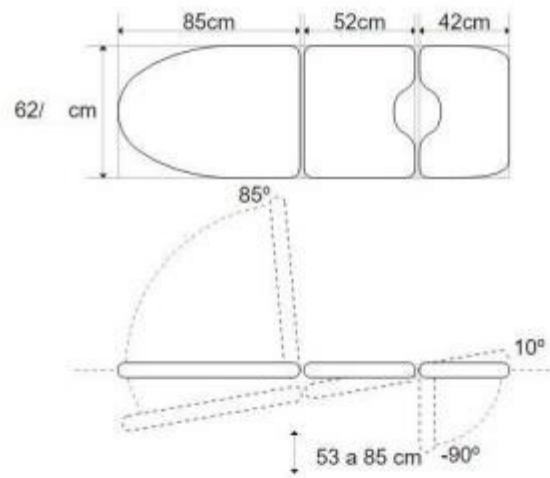
HOLITY.COM



HOLITY.COM



HOLITY.COM



HOLITY.COM

### Gynecology chair h728\_03

Capacity: 180 kg

Type height: variable