



## Gynecological chair h728\_02

Professional gynecological chair in steel and fire-retardant vinyl with electric adjustment, Trendelenburg position, and integrated stainless steel basin.

Professional gynecological chair designed for medical practices, specialized clinics, and hospital wards. The structure combines operational versatility and patient comfort, allowing for rapid transformation into an examination couch. The electric movement system and assisted adjustments facilitate the work of healthcare personnel, ensuring precise positioning during diagnostic procedures and outpatient surgeries.

## Technical specifications

- **Dimensions:** L.189 x W.62 x H.53/85 cm
- **Load capacity:** 180 kg
- **Structure:** Steel frame with white epoxy coating
- **Upholstery:** 100% fire-retardant vinyl class 1IM
- **Padding:** High-density foam (30 kg/m<sup>3</sup>) with 5 cm thickness
- **Height adjustment:** Electric by means of 1 motor with remote control
- **Backrest:** Manually adjustable via gas spring
- **Special functions:** Elevating leg support and Trendelenburg position
- **Included components:** Adjustable and rotating leg supports, removable stainless steel liquid collection basin, ergonomic headrest cushion
- **Compliance:** CE mark

*Image for illustrative purposes only*

## INFORMATION

- **Length in millimeters** 1890.000000
- **Depth in millimeters** 700.000000
- **Height in millimeters** 53.000000
- **type height** variable
- **capacity** 180 kg



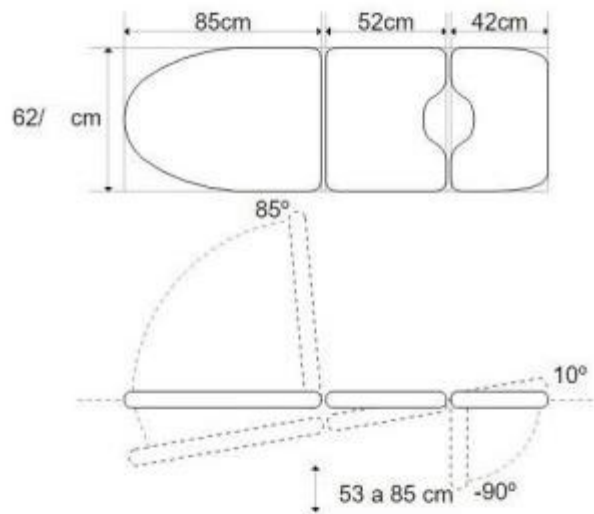
HOLITY.COM



HOLITY.COM



HOLITY.COM



HOLITY.COM

## Gynecological chair h728\_02

Capacity: 180 kg

Type height: variable