



Conference room chair h776_52

Visitor chair for meeting rooms. Frame with 4 steel legs and polypropylene shell. Dimensions: W.54 x D.55 x H.80 cm.

Conference room chair, ideal for setting up halls intended to accommodate a large number of participants for conventions, meetings, assemblies. Consisting of a frame with **4 grey painted chrome steel legs and seat and backrest in polypropylene** available in various colors. **Stackable** up to 20 pieces and complete with **non-slip feet** at the base.

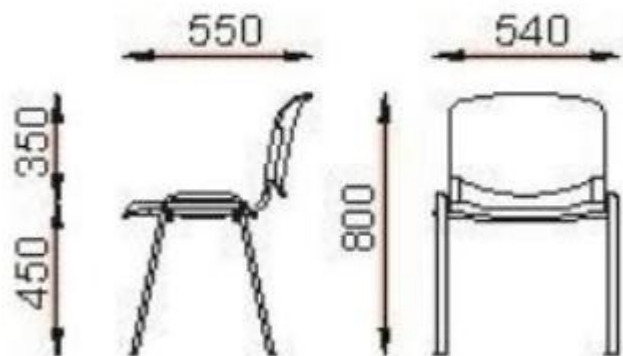
Technical features:

- Dimensions: W.54 x D.55 x H.80 cm
- Seat height: 45 cm
- Grey painted chrome steel frame
- Polypropylene seat and backrest
- Non-slip feet
- Stackable up to 20 seats
- Product certified UNI EN ISO 9001:2015
- Product certified UNI EN ISO 14001:2015
- Product certified UNI ISO 45001:2018
- Built with separable and recyclable materials

****Image purely indicative**

INFORMATION

- **Body material** Materiale plastico
- **Height in millimeters** 800.000000
- **Width in millimeters** 540.000000
- **Depth in millimeters** 550.000000
- **Typology** without armrests



Conference room chair h776_52

Body material: Materiale plastico

Height in millimeters: 399 mm

Width in millimeters: 401 mm

Depth in millimeters: 400 mm

Typology: without armrests