



Bobath professional couch h581_35

2-section Bobath couch for neurological rehabilitation in steel and PVC, 200x120 cm platform with electric adjustment and gas-assisted headrest.

The 2-section Bobath medical couch is a professional solution specifically designed for neuromotor rehabilitation therapies. Its extended structure and superior mechanical stability allow the execution of dynamic exercises and specific postures for the treatment of patients suffering from nervous system pathologies, guaranteeing the necessary space for both the user and the therapist.

The frame is constructed of high-resistance painted steel, configured to allow easy insertion of a lifter at the base. Vertical movement is entrusted to an electric system with a foot control, which allows for adapting the height of the work surface to clinical and patient transfer needs.

Technical features

- **Dimensions:** L.200 x W.120 x h.49-90 cm
- **Height adjustment:** Electric with low voltage foot control (24 V)
- **Headrest adjustment:** Via gas piston with inclination up to + 60°
- **Maximum capacity:** 350 kg (evenly distributed load)
- **Lifter passage:** Lower clearance of 15 cm
- **Power supply:** 230 V 50/60 Hz 1.5A
- **Materials:** Painted steel frame, polyurethane foam padding density 30 kg/m³ (thickness 40 mm)
- **Upholstery:** Composition 88% plasticized PVC and 12% polyester
- **Safety:** Padding and upholstery certified fireproof class 1 IM

Image purely indicative

INFORMATION

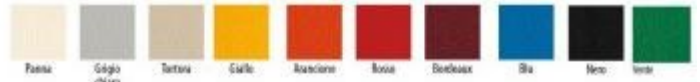
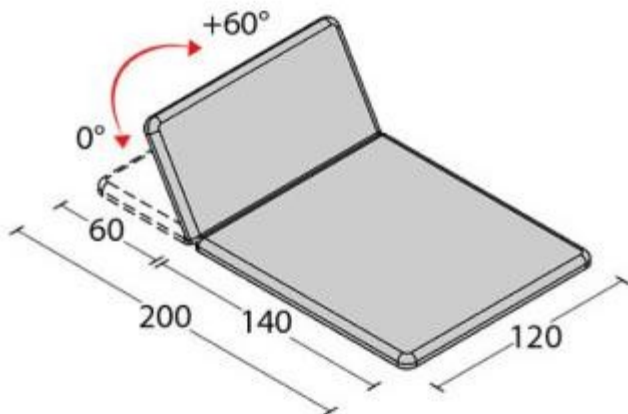
- **Type** Altezza regolabile elettronicamente
- **Base material** Metal
- **Length in millimeters** 2000.000000
- **Depth in millimeters** 1200.000000
- **Height in millimeters** 490.000000



HOLITY.COM



HOLITY.COM



HOLITY.COM

HOLITY.COM

Bobath professional couch h581_35

Type: Altezza regolabile elettronicamente
Base material: Metallo