



3-seater waiting room bench with T-legs h933_04

3-seater waiting room bench, base with grey steel T-legs. Dimensions: W. 150 x D. 56 x H. 88 cm.

Our **3-seater bench for waiting rooms** combines elegance and resistance, offering a modern and functional design. The **single-shell seat** is made of **12 mm beech plywood, black lacquered**, ensuring a refined and long-lasting aesthetic. The inner panel, also in 6 mm beech, is enriched with **high-density flexible polyurethane padding**, with 40 kg/m³ foam, which ensures optimal comfort and support for the seat and backrest. The **fabric upholstery** adds a touch of softness and refinement. The **base of the bench** is characterized by a solid structure, thanks to the **tubular steel painted with a grey epoxy finish (RAL 9006)**, which ensures exceptional resistance over time. The **central bar measures 80 x 40 mm with a thickness of 5 mm**, while the **inverted T-shaped legs, 500 x 100 mm and a thickness of 10 mm**, guarantee robust and reliable stability, ideal for use in high-traffic public environments.

Technical features:

- Dimensions: W. 150 x D. 56 x H. 88 cm.
- Number of seats: 3
- Base with T-legs in steel painted with RAL 9006 grey epoxy paint
- Central bar 80x40 mm th. 5 mm
- Single-shell seat in black lacquered wood, with high-density flexible polyurethane foam padding (40 kg/m³) and fabric upholstery
- Fabric color as shown in photo
- Inverted T-shaped legs 500 x 100 mm th. 10 mm

**Images are purely indicative.*

**Upon request, it is possible to equip the bench with a USB charger*

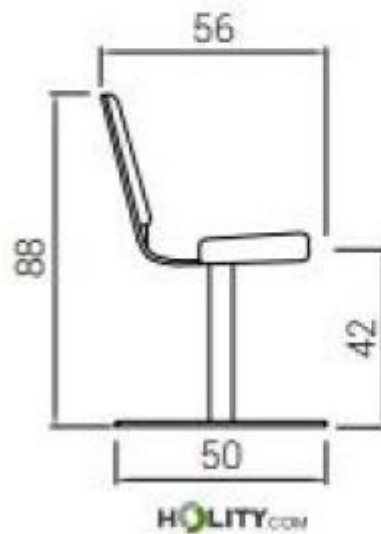
INFORMATION

- **Punti di forza** Imbottite
- **Width in millimeters** 1500.000000
- **Depth in millimeters** 560.000000
- **Height in millimeters** 880.000000
- **Material** Wood

- places 3



3-seater waiting room bench with T-legs h933_04



3-seater waiting room bench with T-legs h933_04

Width in millimeters: 401 mm
Depth in millimeters: 400 mm
Height in millimeters: 399 mm
Material: Wood
Places: 3