



3-seater waiting room bench with mesh backrests h933_06

3-seater office waiting room bench. Dimensions: W. 150 x D. 70 x h. 76 cm. Backrest in double nylon mesh and plastic seat.

This **three-seater waiting room bench** is designed for environments such as offices and professional studios, with a modern and functional design. The **backrest structure** is made of **black injection-molded polypropylene**, a highly resistant and fully recyclable material, thus providing a reduced ecological footprint. The **backrest** is made of **double acrylic nylon mesh**, a lightweight fabric with a weight of 285 g/m² and a thickness of 0.7 mm, which offers comfort and breathability. The **seat**, also made of **recyclable polypropylene**, is molded by plastic injection to ensure a comfortable and durable seat. The base of the bench features **V-shaped legs**, made of **steel tubing painted with RAL 9006 grey epoxy paint**, providing stability and sturdiness. The **central bar**, with a rectangular profile of **80 x 40 mm and a thickness of 3 mm**, ensures further solidity and structural support, making this bench an ideal choice for public and professional spaces requiring durability and contemporary design.

Technical features:

- Dimensions: W. 150 x D. 70 x h. 76 cm
- Backrest materials: structure in injection-molded black polypropylene, 100% recyclable; backrest in green double acrylic nylon mesh
- Seat material: 100% recyclable polypropylene
- Seat color: black
- Seats: 3
- Base with V-shaped legs in steel tubing painted with RAL 9006 grey epoxy paint
- Central bar 80 x 40 mm and 3 mm thickness
- Inverted V feet

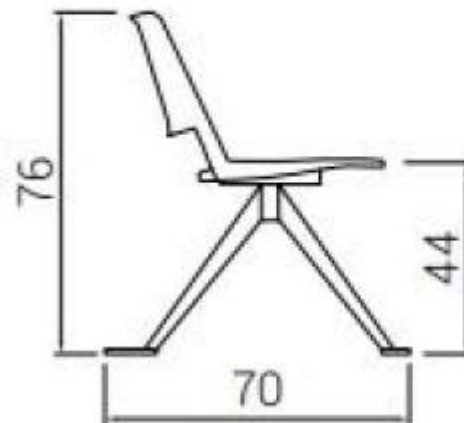
**Images are purely indicative.*

**Upon request, it is possible to equip the bench with a USB charger*

INFORMATION

- **Width in millimeters** 1500.000000
- **Depth in millimeters** 700.000000
- **Height in millimeters** 760.000000
- **Material** Materiale plastico
- **places** 3

3-seater waiting room bench with mesh backrests h933_06



HOLITY.COM

HOLITY.COM

3-seater waiting room bench with mesh backrests h933_06

Width in millimeters: 401 mm

Depth in millimeters: 400 mm

Height in millimeters: 399 mm

Material: Materiale plastico

Places: 3