



3-seater waiting room bench in polypropylene and steel h933_05

3-seater waiting room bench with plastic seats and V-leg base in painted steel. Dimensions: W. 150 x D. 70 x H. 76 cm.

The **three-seater waiting room bench** is designed for professional environments such as offices and studios, offering a practical and comfortable solution for welcoming visitors. The **backrests**, made of **injection-molded polypropylene**, and the **seats in polypropylene plastic material** ensure a resistant and easy-to-clean seat, ideal for frequent use. The structure is robust, with a **base featuring V-legs in steel tubing**, finished with a **grey epoxy paint in RAL 9006 shade**, giving it a modern and refined look. The bench is supported by a **central bar measuring 80x40 mm**, with a thickness of 3 mm, ensuring stability and durability over time.

Technical features:

- Dimensions: W. 150 x D. 70 x H. 76 cm
- Seats and backrests in polypropylene plastic material
- Injection-molded backrests
- Seat and backrest color: black
- Seats: 3
- Base with V-legs in steel tube painted with grey RAL 9006 epoxy paint
- Central bar 80 x 40 mm and 3 mm thickness
- Inverted V-feet

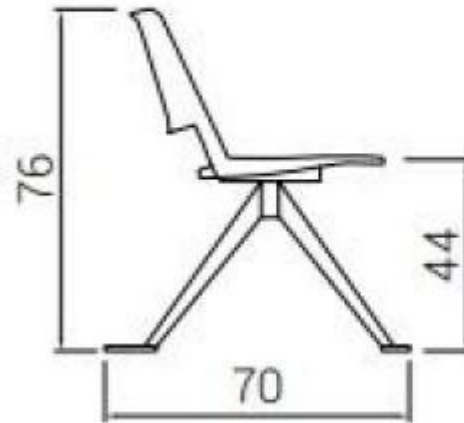
**Images purely indicative.*

**A USB charger can be added to the bench upon request and quotation.*

INFORMATION

- **Width in millimeters** 1500.000000
- **Depth in millimeters** 700.000000
- **Height in millimeters** 760.000000
- **Material** Materiale plastico
- **places** 3

3-seater waiting room bench in polypropylene and steel h933_05



HOLITY.COM

HOLITY.COM

3-seater waiting room bench in polypropylene and steel h933_05

Width in millimeters: 401 mm

Depth in millimeters: 400 mm

Height in millimeters: 399 mm

Material: Materiale plastico

Places: 3